

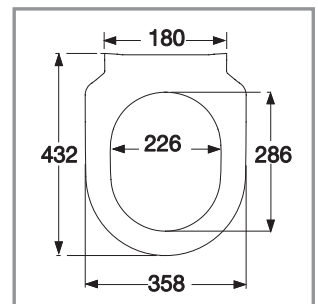
Toilet Seat Subway 2.0 Slim SC/QR

Model

9M78 S1 Subway 2.0 Slim toilet seat with Soft Closing and Quick Release, incl. 9224 74 61 fixed hinge

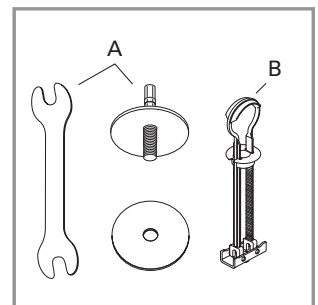
Product Description

Subway 2.0 Slim toilet seat in Wrap Over design made of colour ingrained duroplast with hinge in stainless steel and plastic
 – incl. fixed hinge in stainless steel
 – centre distance: 180 mm
 – load of ring seat: 240 kg
 – 10 year guarantee



Colour Programme

01 White (Alpin)
 R2 Star White
 R3 Pergamon



Hinge Finish

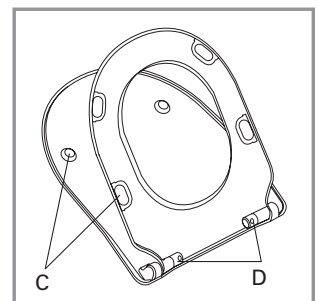
61 Stainless steel

Spare Parts

A) 9224 74 61 Fixed hinge
 B) 9224 04 00 Spare part for universal toggle hinge
 C) 9224 86 00 Buffers for seat and cover
 D) 9224 77 00 Damper set

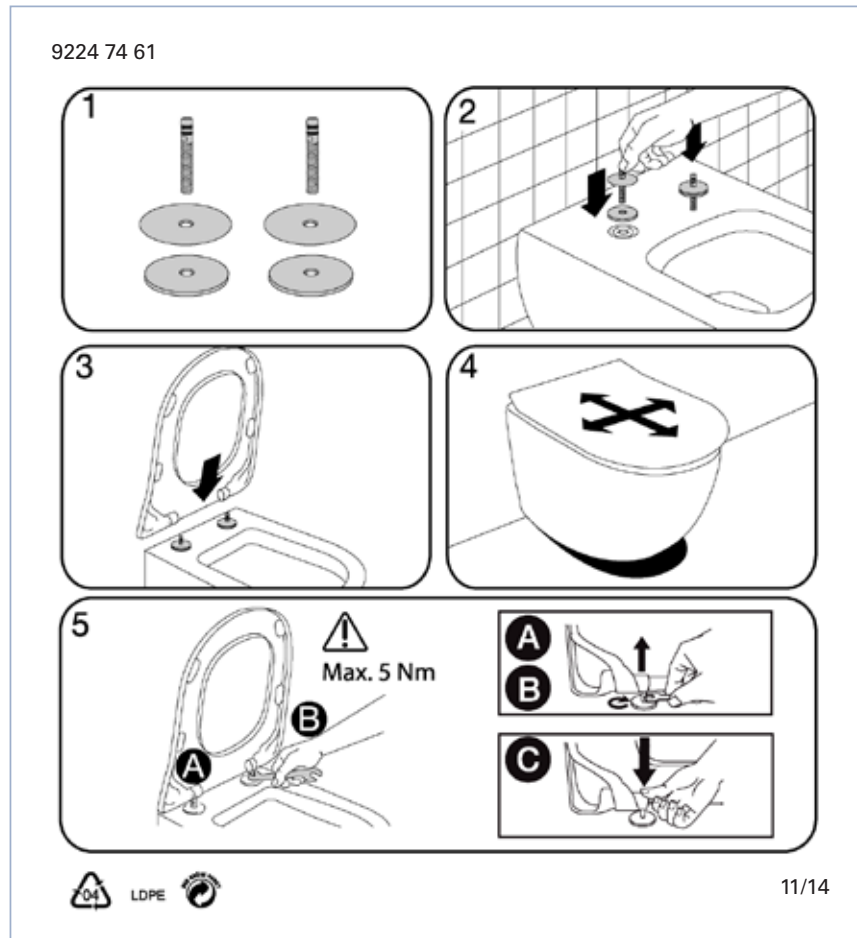
Cleaning Instructions

Use a mild soap solution. Seat and hinge should not be left damp, but be dried with a soft cloth. When using abrasive, corrosive or chlorine based cleaners for the bowl, avoid contact with seat and hinge as it may lead to damages or flash rust. Therefore, when cleaning the bowl, make sure that seat and cover are in an upright position until all the cleaner has been flushed away



Villeroy & Boch

1748



Material Description

TOILET SEAT: The material is colour ingrained duroplast (UF A 10 = urea formaldehyde) that contains no environmentally hazardous substances. UF plastic comprises 67% urea formaldehyde resin, 28% cellulose, as well as 5% minerals, pigments, lubricants and moisture content. The raw material from the supplier contains less than 0,03% formaldehyde after a special curing process.

BUFFERS: EVA (copolymer made of ethylene and vinyl acetate).

MOUNT/HINGE: Stainless steel.

Guarantee

The guarantee includes faults or defects in the material of our products within a periode of 10 years. Products subject to minor technical modifications and design deviations E. & O.E.