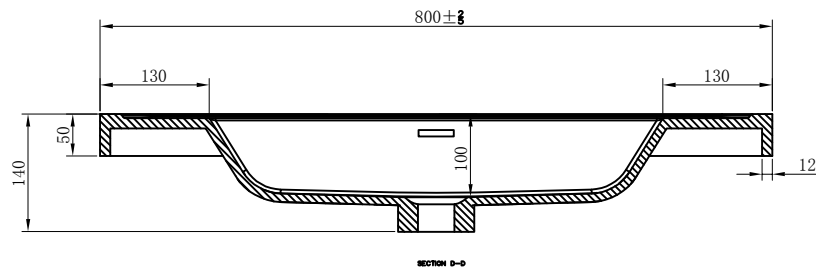
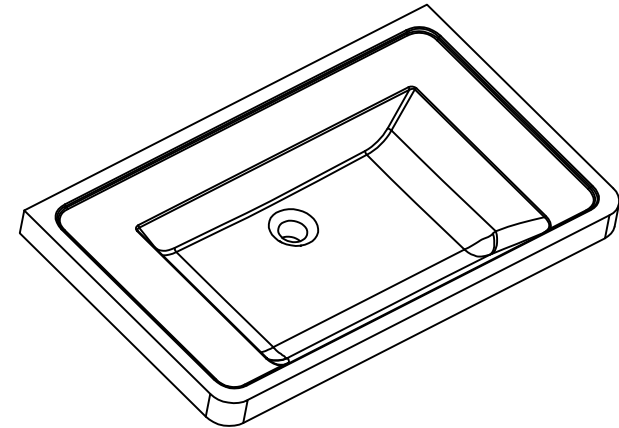


SECTION B-B



SECTION D-D



A
B
C
D

1

2

3

4

5

6